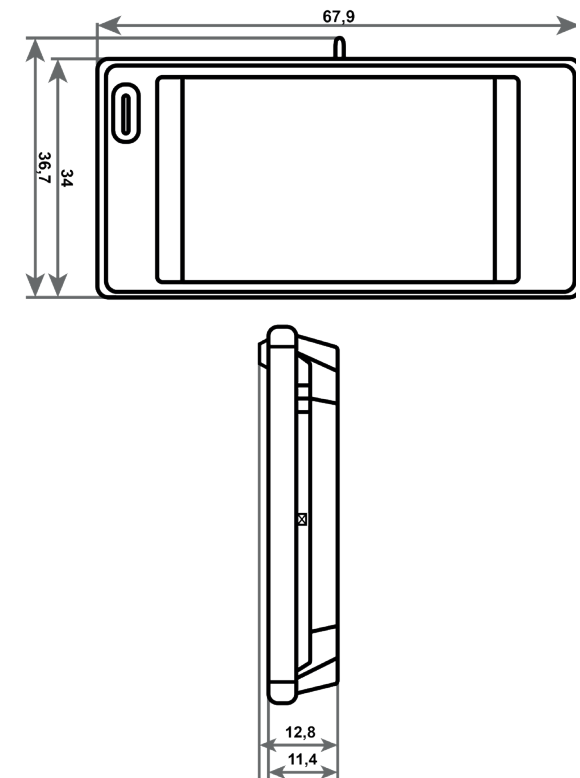


VUSION 2.2 BWR EU140

Technical Details

Dimensions (mm)	67,9 x 36,7 x 11,4 (without LED and Easylock)	Battery	2 x CR2450
Display technology	Full graphic E-ink display	Battery lifetime	10 years (7.000-10.000 updates)
Active display area (mm)	48,6 x 23,8	Encryption	128-bit AES with secure key exchange
Resolution (pixels)	212 x 104	Compliance	CE, ROHS, FCC/IC
Pixel density	111 dpi	Packaging unit	100 labels/box
Pixel colors	Black/white/red	Active NFC	Yes, operating frequency: 13,56 MHz
Usable pages	4	Operating frequency	available in 868 MHz or 2.4 GHz
Viewing angle	Nearly 180°	Wireless firmware update	Yes
Label updates/h (CE/FCC)	8500/5000		
Operating temperature	+10°C to +40°C		

Technical Drawing



VUSION 2.2 BWR EU140



e-shelf-labels | S&K Solutions GmbH

Sailerwöhr 16 | 94032 Passau
+49 (0) 851 / 2009 30 30

info@e-shelf-labels.com
www.e-shelf-labels.com

a brand of 
solutions